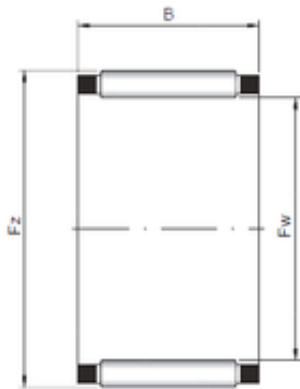




ISO K55X63X30 needle roller bearings



Bearing No. K55X63X30

Size	55x63x30 mm
Bore Diameter	55 mm
Outer Diameter	63 mm
Width	30 mm
Fw	55 mm
Ew	63 mm
B	30 mm

K55X63X30 Bearing 2D drawings and 3D CAD models