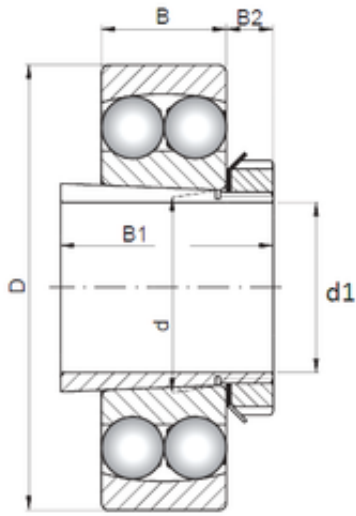




EAO Bearing Machine Development Co., Ltd



ISO 2309K+H2309 self aligning ball bearings

Bearing No. 2309K+H2309

Size	45x100x36 mm
Bore Diameter	45 mm
Outer Diameter	100 mm
Width	36 mm
d	45 mm
d1	40 mm
D	100 mm
B	36 mm
C	36 mm
B1	50 mm
B2	11 mm

2309K+H2309 Bearing 2D drawings and 3D CAD models