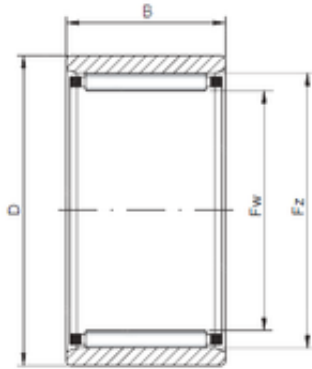




ISO RNAO25x37x16 cylindrical roller bearings



Bearing No. RNAO25x37x16

Size	25x37x16 mm
Bore Diameter	25 mm
Outer Diameter	37 mm
Width	16 mm
d	25 mm
Fw	25 mm
D	37 mm
Ew	32 mm
B	16 mm
C	16 mm

RNAO25x37x16 Bearing 2D drawings and 3D CAD models