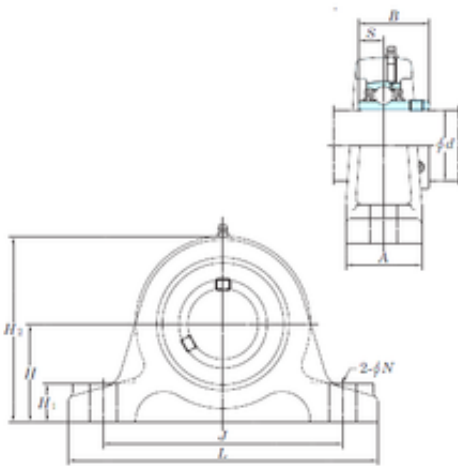




KOYO UCIP318-56 bearing units

Bearing No. UCIP318-56



UCIP318-56 Bearing 2D drawings and 3D CAD models

Bore Diameter	88,9 mm
Width	96 mm
d	88,9 mm
A	85 mm
B	96 mm
H	130 mm
H1	45 mm
H2	260 mm
J	330 mm
L	400 mm
N	29 mm
S	40 mm
Bolt (G)	M27
Weight	28,6 Kg
Basic dynamic load rating (C)	143 kN
Basic static load rating (C0)	107 kN