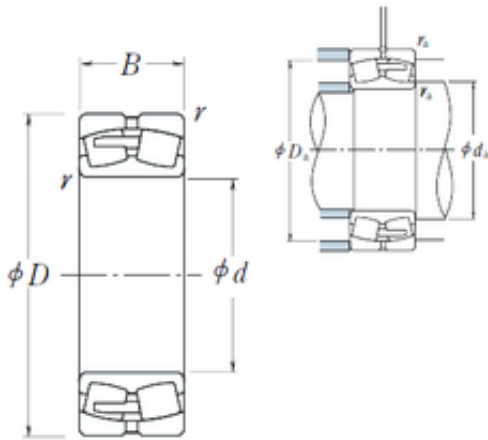




**NSK 23248CAE4 spherical roller bearings**



Bearing No. 23248CAE4

Size	240x440x160 mm
Bore Diameter	240 mm
Outer Diameter	440 mm
Width	160 mm
d	240 mm
D	440 mm
B	160 mm
C	160 mm
r min.	4 mm
da min.	258 mm
Da min	372 mm
Da max.	422 mm
ra max.	3 mm
Weight	106 Kg
Basic dynamic load rating (C)	2440 kN
Basic static load rating (C0)	4050 kN
(Grease) Lubrication Speed	630 r/min
(Oil) Lubrication Speed	800 r/min
Calculation factor (e)	0,37
Calculation factor (Y0)	1,8
Calculation factor (Y2)	2,7

23248CAE4 Bearing 2D drawings and 3D CAD models