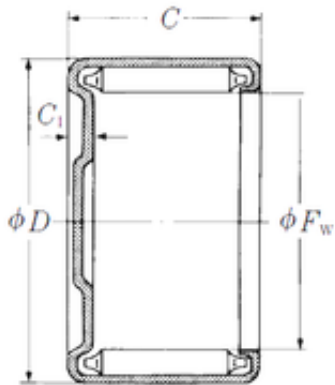




NSK MJ-1881 needle roller bearings



Bearing No. MJ-1881

Size	28.575x34.925x12.7 mm
Bore Diameter	28,575 mm
Outer Diameter	34,925 mm
Width	12,7 mm
Fw	28,575 mm
D	34,925 mm
C	12,7 mm
C2	1 mm
Weight	0,03 Kg
Basic dynamic load rating (C)	11,7 kN

MJ-1881 Bearing 2D drawings and 3D CAD models