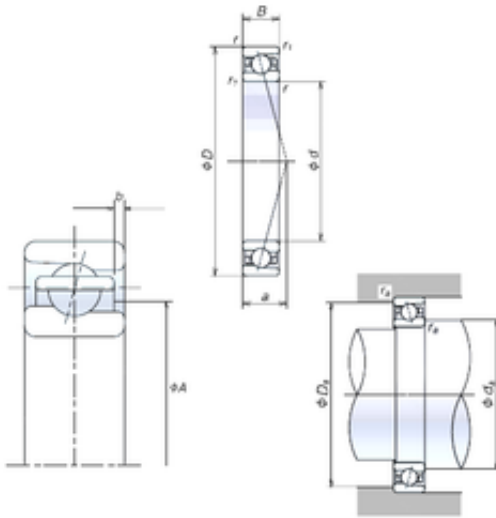




NSK 80BNR10H angular contact ball bearings

Bearing No. 80BNR10H



80BNR10H Bearing 2D drawings and 3D CAD models

Size	80x125x22 mm
Bore Diameter	80 mm
Outer Diameter	125 mm
Width	22 mm
d	80 mm
D	125 mm
B	22 mm
C	22 mm
Angle (°)	18 °
a	27,5 mm
b	1,7 mm
r min.	1,1 mm
r1 min.	0,6 mm
A	96 mm
da min.	87 mm
Da max.	118 mm
ra max.	1 mm
Weight	0,867 Kg
Basic dynamic load rating (C)	26,5 kN
Basic static load rating (C0)	24,5 kN
(Grease) Lubrication Speed	17600 r/min