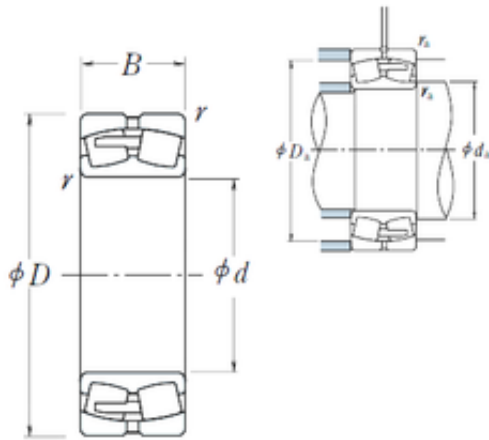




NSK 23180CAE4 spherical roller bearings



Bearing No. 23180CAE4

Size	400x650x200 mm
Bore Diameter	400 mm
Outer Diameter	650 mm
Width	200 mm
d	400 mm
D	650 mm
B	200 mm
C	200 mm
r min.	6 mm
da min.	428 mm
Da min	569 mm
Da max.	622 mm
ra max.	5 mm
Weight	257 Kg
Basic dynamic load rating (C)	4150 kN
Basic static load rating (C0)	7900 kN
(Grease) Lubrication Speed	380 r/min
(Oil) Lubrication Speed	480 r/min
Calculation factor (e)	0,29
Calculation factor (Y0)	2,3
Calculation factor (Y2)	3,4

23180CAE4 Bearing 2D drawings and 3D CAD models