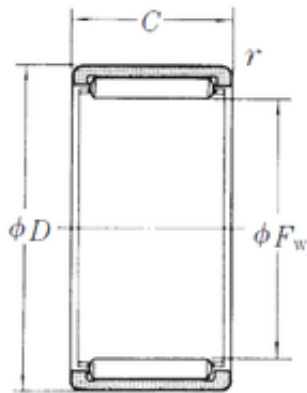




NSK RLM11013040-1 needle roller bearings



Bearing No. RLM11013040-1

Size	110x130x40 mm
Bore Diameter	110 mm
Outer Diameter	130 mm
Width	40 mm
Fw	110 mm
D	130 mm
C	40 mm
r min.	1 mm
Weight	0,85 Kg
Basic dynamic load rating (C)	134 kN
Basic static load rating (C0)	305 kN

RLM11013040-1 Bearing 2D drawings and 3D CAD models