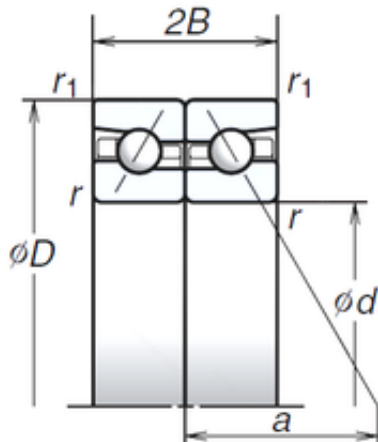




NSK 100BAR10S angular contact ball bearings



Bearing No. 100BAR10S

Size	100x150x22.5 mm
Bore Diameter	100 mm
Outer Diameter	150 mm
Width	22,5 mm
d	100 mm
D	150 mm
B	22,5 mm
C	22,5 mm
Angle (°)	30 °
a	47,3 mm
r min.	1,5 mm
r1 min.	1 mm
2B	45 mm
Weight	1,399 Kg
Basic dynamic load rating (C)	43,5 kN
Basic static load rating (C0)	100 kN
(Grease) Lubrication Speed	6 000 r/min
(Oil) Lubrication Speed	7 600 r/min

100BAR10S Bearing 2D drawings and 3D CAD models