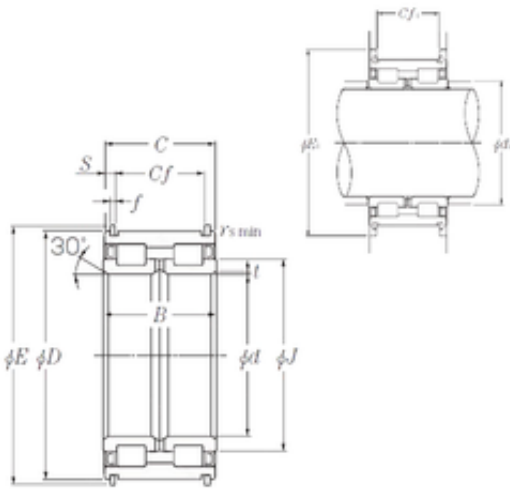




NTN SL04-5011NR cylindrical roller bearings

Bearing No. SL04-5011NR



SL04-5011NR Bearing 2D drawings and 3D CAD models

Size	55x90x46 mm
Bore Diameter	55 mm
Outer Diameter	90 mm
Width	46 mm
d	55 mm
D	90 mm
B	46 mm
C	45 mm
E1	106 mm
t	1 mm
f	2,5 mm
r min.	0,6 mm
E	95 mm
J	67,9 mm
S	5,5 mm
da	60 mm
Cf	34 mm
Cf1	34 mm
Weight	1,12 Kg
Basic dynamic load rating (C)	118 kN
Basic static load rating (C0)	193 kN
Category	Roller Bearings
Inventory	0.0
Manufacturer Name	NTN
Minimum Buy Quantity	N/A
Weight / Kilogram	1.167



EAO Bearing Machine Development Co., Ltd

EAN	4547359185461
Product Group	B04144
bore diameter:	55 mm
static load capacity:	193000 N
outside diameter:	90 mm
precision rating:	ISO Class 0
overall width:	46 mm
bearing material:	Hardened Alloy Steel
flanges:	(1) Outer Ring, Two-Piece Inner Ring
cage material:	None
bore type:	Straight
finish/coating:	Uncoated
number of rows:	2
closure type:	Double Shield
internal clearance:	CN
fillet radius:	1 mm
operating temperature range:	-40 to 120 ° C
series:	SL04
dynamic load capacity:	118000 N
manufacturer product page:	Click here